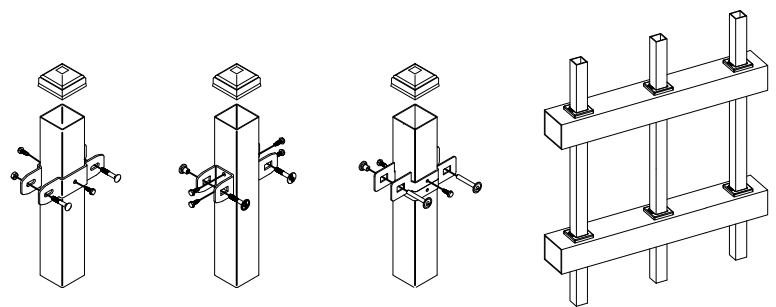
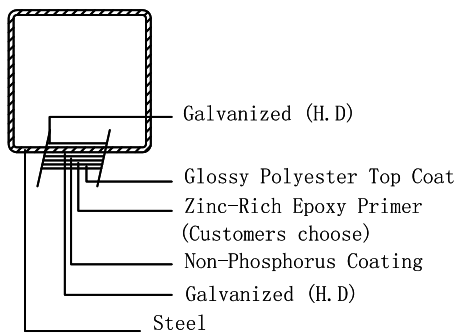
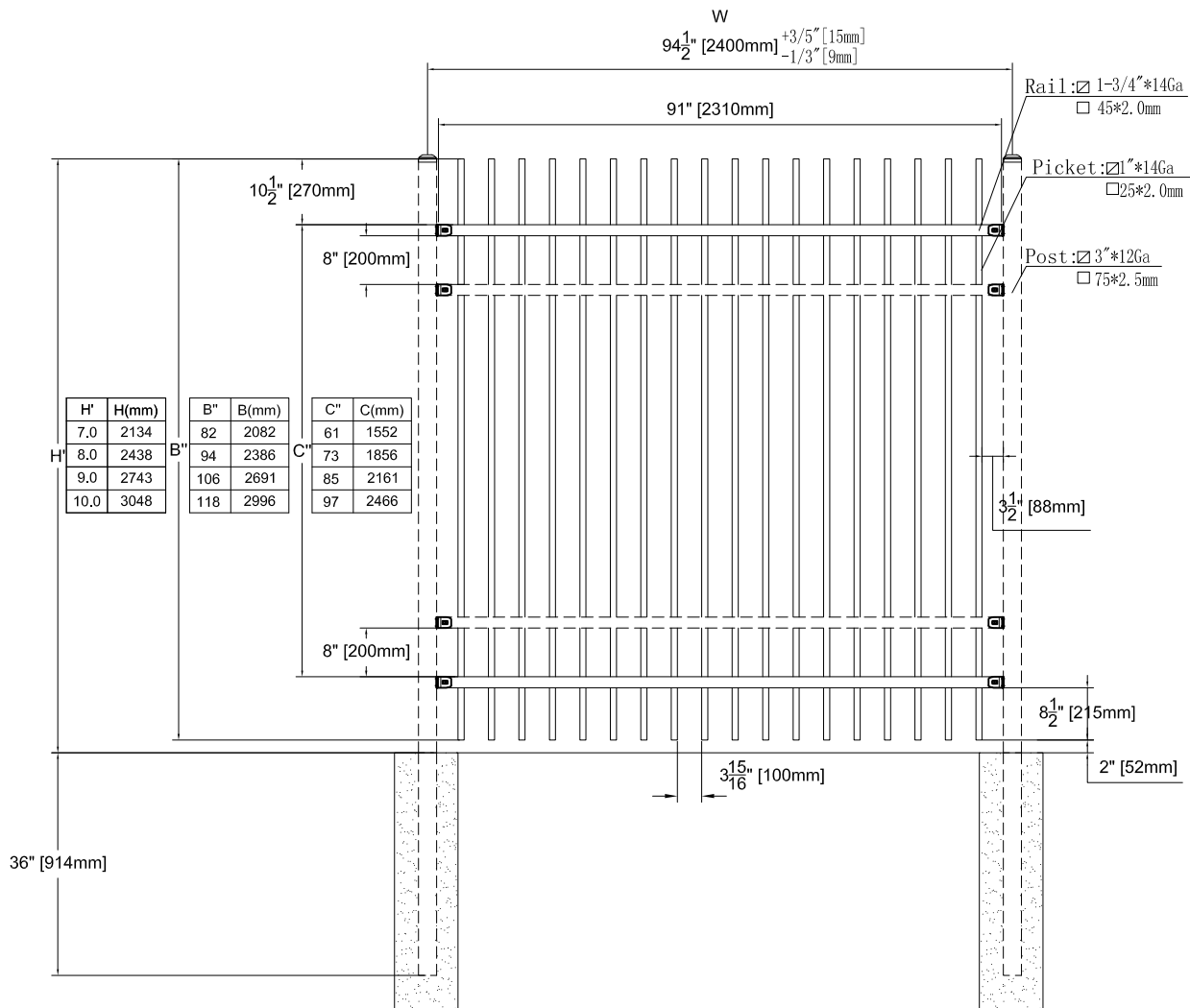


Post size		*W	
in	mm	in	mm
□ 2-1/2"	63.5	94"	2389
□ 3"	75	94-1/2"	2400
□ 4"	100	95-1/2"	2425



ITEM	Size(mm)	Size(")	Material	Q'Ty	CLIENT
Picket	25*25*2.0	1x1x14Ga	Q195		USA
Rail	45*45*2.0	1 3/4 x 1 3/4 x 14Ga	Q235		
Post	75*75*2.5	3x3x12Ga	Q235		
					Product description
					*I**08-P
Design	A. Z	Standardization	D.FF		
Drawing	D.FF	Approve	A. Z		
Revise	X.G	Date:09-10-2015			
Auditing	M.ZQ			REVISIONS	DESCRIPTION
				DATE	APPRO



XCEL Fence Inc
 910 E Cedar St.
 Ontario, CA 91761 USA
 Tel: (866)392-0808
 Fax: (909)392-0999
 www.xcelfence.com
 E-mail: info@xcelfence.com